

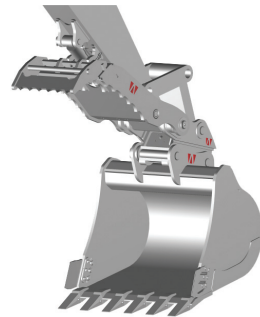
# TECHNICAL SPECIFICATIONS

# BT SERIES™ THUMBS FOR MINIS by WEDGELOCK

The complete range of Thumbs for Mini Excavators  
(from 1T/2200 lbs to 9T/19800 lbs)

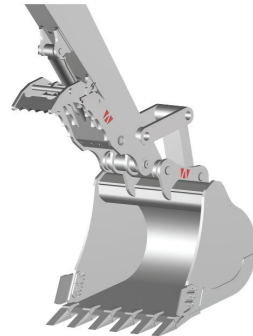
## Wedgeloek Ridged / Mechanical Model

Weight Class	Excavator Machine Weight Tonnes (lbs)	Part Number	Weight kgs (lbs)	Body Width mm (in)	Tip Radius Range mm (in)
015 - 022	1.0-2.2t (2200-4800)	TUM-015-022	30 (68)	200 (8.0)	500-850 (19.5-33.5)
028 - 037	2.3-3.7t (5000-8100)	TUM-028-037	50 (113)	220 (9.0)	625-950 (24.5-37.5)
045 - 055	3.8-5.5t (8300-12100)	TUM-045-055	80 (181)	250 (10.0)	720-1200 (28.5-47.0)
070 - 099	5.6-9.9t (12300-21800)	TUM-070-099	155 (350)	300 (12.0)	900-1400 (35.5-55.0)



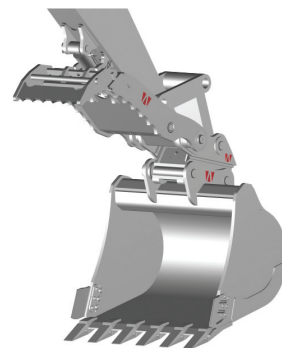
## Wedgeloek Universal Hydraulic Model

Weight Class	Excavator Machine Weight Tonnes (lbs)	Part Number	Weight kgs (lbs)	Body Width mm (in)	Tip Radius Range mm (in)
015 - 022	1.0-2.2t (2200-4800)	TUH-015-022	30 (68)	200 (8.0)	500-850 (19.5-33.5)
028 - 037	2.3-3.7t (5000-8100)	TUH-028-037	50 (113)	220 (9.0)	625-950 (24.5-37.5)
045 - 055	3.8-5.5t (8300-12100)	TUH-045-055	80 (181)	250 (10.0)	720-1200 (28.5-47.0)
070 - 099	5.6-9.9t (12300-21800)	TUH-070-099	155 (350)	300 (12.0)	900-1400 (35.5-55.0)



## Wedgeloek Non-Link Hydraulic Model

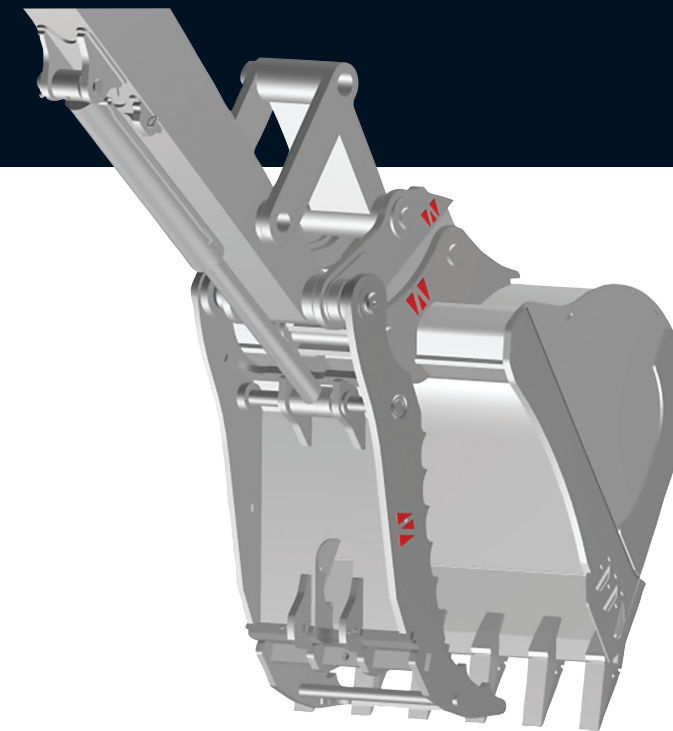
Weight Class	Excavator Machine Weight Tonnes (lbs)	Part Number	Weight kgs (lbs)	Body Width mm (in)	Tip Radius Range mm (in)
015 - 022	1.0-2.2t (2200-4800)	TNH-015-022	40 (90)	260 (10.5)	500-850 (19.5-33.5)
028 - 037	2.3-3.7t (5000-8100)	TNH-028-037	60 (136)	320 (12.5)	625-950 (24.5-37.5)
045 - 055	3.8-5.5t (8300-12100)	TNH-045-055	95 (215)	370 (14.5)	720-1200 (28.5-47.0)
070 - 099	5.6-9.9t (12300-21800)	TNH-070-099	175 (396)	430 (17.0)	900-1400 (35.5-55.0)



All specifications indicative only and subject to change without notice.

Authorized Sales Representative:

BMD0802

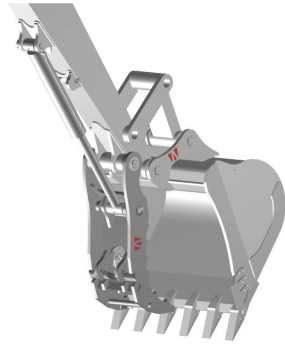


Introducing the new **Wedgeloek BT Series™\*** for Mini Excavators – a range of thumbs that is packed with features and designed for maximum versatility.

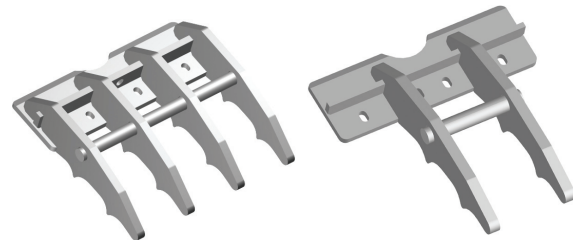
- **CUSTOMIZABLE** – multiple styles and sizes to choose from; 100% customizable
- **UPGRADEABLE** – change to different styles or fit existing thumbs to a different machine in the same weight class regardless of pin diameter
- **DURABLE, RUGGED CONSTRUCTION** – heavy duty cylinders and components provide high strength and high quality performance
- **LOW MAINTENANCE** – designed to provide maximum structural integrity, the Wedgeloek BT Series™ are built to last
- **MULTIPLE INTERCHANGABLE COMPONENTS** – different tooth plates, pin and bush kits enable thumb assembly to suit machine configuration

\*BT Series = Bolted Tooth Series

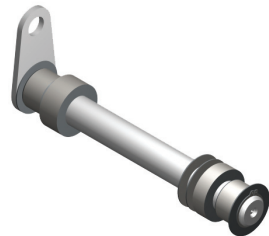
# FEATURES OF THE WEDGELOCK BT SERIES™ FOR MINIS



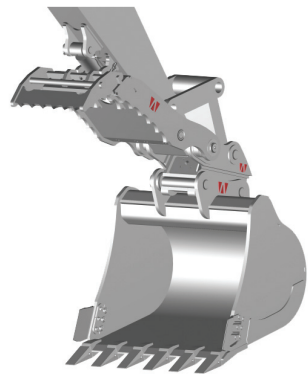
Universal Hydraulic Thumb



Interchangeable Tooth Plates



Interchangeable Pin & Bush Kits



Low Profile Stored Position

The **Wedgelock BT Series™ for Minis** is by far the most versatile and durable range of thumbs available today for mini excavators and backhoes. Superior gripping force powered by a rugged, heavy-duty oversized cylinder allows any object to be handled effortlessly.

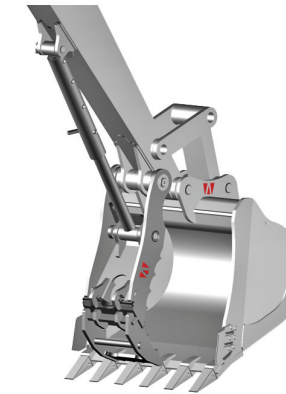
All fabricated components are lightweight without sacrificing strength – finite element analysis has been used in the design to achieve maximum structural integrity. Oversized, hardened pins and bushings offer maximum wear life and incorporate strategically placed grease fittings that provide easy maintenance in any position.

The **Wedgelock BT Series™ for Minis** is packed with features:

- **100% CUSTOMIZABLE** – multiple options provide full versatility. The main pin and bushings can easily be replaced for machine changeovers. Utilizing different buckets is not a problem either – replacement bolt-on tooth plates can be retrofitted at any time to suit a different configuration.
- **100% UPGRADEABLE** – the Ridged Thumb with four fixed positions totaling 120 degrees can be upgraded to a Universal Hydraulic without having to move mounts or pivot points. Just add a cylinder.
- The **Wedgelock BT Series™ for Minis** have a **LOW PROFILE STORED POSITION**, anti-drift lugs with shackles on the hydraulic models and incorporate superior design features combined to out-perform and out-last all other thumbs.

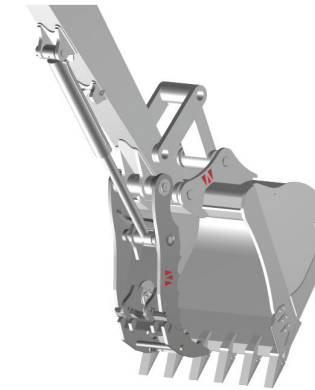
# THE WEDGELOCK BT SERIES™ FOR MINIS – THREE MODELS DELIVERING MAXIMUM VERSATILITY

Listed below are features of each **BT Series™ Mini Thumb** model including the upgrade options available:



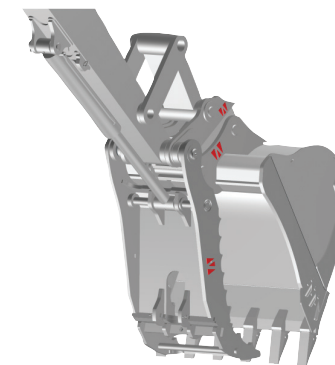
## WEDGELOCK RIDGED / MECHANICAL Model

- Three working positions - 60, 90, 120 degrees
- Robust construction
- 120 degrees rotation
- Telescopic Strut
- Bolted tooth plate – various configurations
- Oversized pins with bushes for greater wear surface area.
- Upgradeable to Wedgelock Universal Hydraulic Model



## WEDGELOCK UNIVERSAL HYDRAULIC Model

- Robust construction
- 120 degrees rotation
- Heavy-duty (oversized) cylinder\*
- Bolted tooth plate – various configurations
- Oversized pins with bushes for greater wear surface area



## WEDGELOCK NON-LINK HYDRAULIC Model

- Robust construction
- 140 degree rotation
- Heavy-duty (oversized) cylinder\*
- Bolted tooth plate – various configurations
- Hardened bushings and pins (oversized and changeable)

\*Max Operating Pressure - 207 Bar (2500 psi)